

CLEANING

Frequent cleaning will prolong the life of the unit, ensure fire prevention and provide for more efficient operation.

1. Remove the retaining cage by holding the trap securely and twisting counter clockwise.
2. Grasp the edge of the crossbar and pull up firmly to remove damper assembly.
3. Dispose of contents and clean any build up from the inside of the retaining cage with a small brush.
4. Attach the air damper assembly to retaining cage and reattach to trap with a clockwise twist to the lock position.

IMPORTANT: DO NOT press or push against the screen windows while cleaning or assembling.

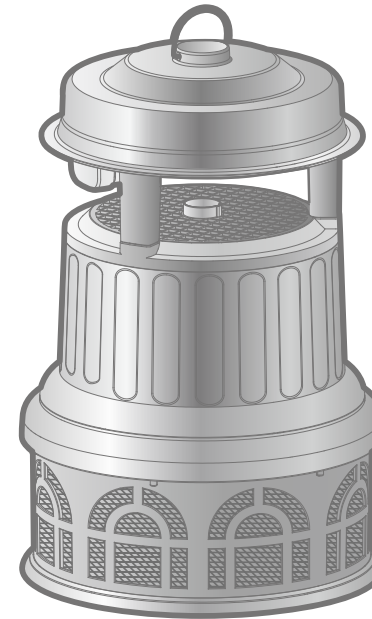
TROUBLESHOOTING

Problem:	Possible cause:	Correction:
Bulbs do not illuminate and fan does not spin.	No electrical power	1. Check plug and receptacle and fuse or circuit breaker.
Bulbs illuminate, but fan does not spin.	Shorted fan.	1. UNPLUG UNIT: Examine fan to see that it is free from foreign material, dirt or build-up of dead insects. 2. Clean unit as in "CLEANING" section.
Fan spins, but bulbs do not illuminate.	1. Bulbs not seated properly 2. Burnt out bulbs	1. Check all sockets for proper bulb seating and alignment. 2. Replace bulbs if needed following instructions under "Replacing Bulb"

PEST TRAP

Model No.:GM928

INSTRUCTION MANUAL



PLEASE READ THIS MANUAL CAREFULLY
BEFORE USING THE APPLIANCE.
KEEP MANUAL IN A SAFE PLACE FOR EASY
REFERENCE

WARNING

when using electric appliances, basic precautions should always be followed, including the following:

1. To disconnect, turn all controls to the off ("O") position, then remove plug from outlet.
2. Unplug from outlet when not in use and before servicing or cleaning.
3. To reduce the risk of electrical shock, do not put appliance in water or other liquid.
4. This appliance is provided with double insulation. Use only identical replacement parts. See instruction for Servicing of Double-Insulated Appliances.

IMPORTANT SAFETY INSTRUCTIONS

Please read these instructions before using the Pest Trap. Pest Trap and keep for future reference.

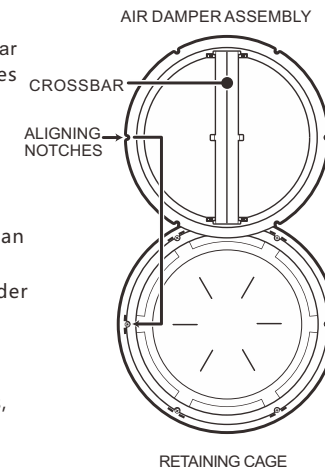
1. Always turn unit off and disconnect plug before servicing, cleaning, or changing bulb.
2. Do not position the unit near heat, gas, oil or other flammable materials.
3. Mount product out of reach from children.
4. Never operate this product if it has a damaged cord or plug, if it is not working properly, if it has been dropped or damaged, or if it has been dropped into water.
5. Do not insert fingers or any foreign objects into the unit while it is connected to an electrical outlet.
6. Collected mosquitoes within the unit may contribute to fire, so clean insects from the unit frequently.
7. Do not clean this product with water spray. Do not place where it can fall into water, or near flammable materials.
8. Do not touch fan while in motion.
9. Do not abuse cord—never carry or hang unit by cord or yank it to disconnect from receptacle. Keep cord away from heat, oil, or sharp edges.
10. Use only extension cords that are clearly marked "Suitable for Use with Outdoor Appliances" and that have plug and receptacles that match the product plug. Replace all damaged cords.
11. Only use attachments recommended or sold by the manufacturer.
12. Do not unplug by pulling on cord. To unplug, grasp the plug, not the cord.
13. This appliance can be used by children aged from 8 years and above and persons with reduced physical, sensory or mental capabilities or lack of experience and knowledge if they have been given supervision or instruction concerning use of the appliance in a safe way and understand the hazards involved. Children shall not play with the appliance. Cleaning and user maintenance shall not be made by children without supervision.
14. Children should be supervised to ensure that they do not play with the appliance.
15. If the supply cord is damaged, it must be replaced by the manufacturer, its service agent or similarly qualified persons in order to avoid a hazard.
16. **WARNING:** An electric shock hazard may exist if water from a garden hose is directed at the insect killer.
17. When using extension cords, keep the socket-outlet away from moisture and avoid damage to the cord.
18. the appliance is to be kept out of reach of children;
19. the appliance is not to be used in locations where flammable vapour or explosive dust is likely to exist.

INSTRUCTIONS FOR DOUBLE-INSULATED, CORD-CONNECTED APPLIANCES

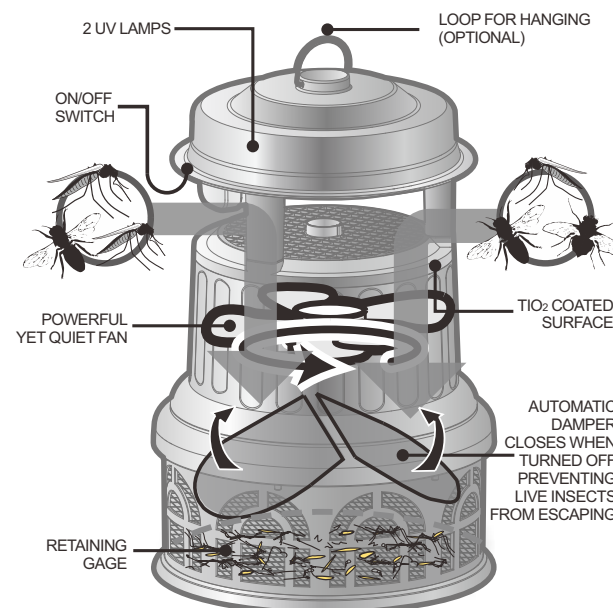
In a double-insulated appliance, two systems of insulation are provided instead of grounding. No grounding means is provided on a double-insulated appliance, nor should a means for grounding be added to the appliance. Servicing of a double-insulated appliance requires extreme care and knowledge of the system, and should be done only by a qualified service personnel. Replacement parts for a double-insulated appliance must be identical to those parts in the appliance. A double-insulated appliance is marked with the words "DOUBLE INSULATION" or "DOUBLE INSULATED"

INSTALLATION

1. Unpack unit. Save carton for off-season storage (if needed). Remove cardboard insert from the retaining cage.
2. Place the air damper assembly in the retaining cage with the crossbar facing up. Align the six damper notches with the matching notches on the retaining cage.
3. Place the trap on the retaining cage and twist clockwise to the lock position.
4. If hanging the unit, place it approximately 3–6 feet above floor or ground for optimal catch-rate and easy access for cleaning. Unit can also be placed on the floor or ground.
5. Turn power switch to "ON" position. The switch is located under the upper housing near the light bulbs.
6. For best catch results leave unit on at all times, except when cleaning or servicing.
7. Catch rate activity will be higher at night. For best catch results, place unit away from other competing light sources.
8. It is recommended to place the unit 20 to 40 feet away from where people will be sitting.
9. This unit is all-weather resistant – designed for outdoor use including rainy conditions.



HOW THE NSECT TRAP WORKS



Flying insects are attracted to the unit by the UV light and CO₂ that is generated by the photo-catalysis between the UV lamps and the special TiO₂ coating. The fan then pulls the insects into the screened base, trapping them until they dehydrate and die. The base can be removed, allowing the contents to be periodically emptied into the trash. The see-through screen shows the insects trapped in the compartment, alerting you when the cage needs to be emptied.